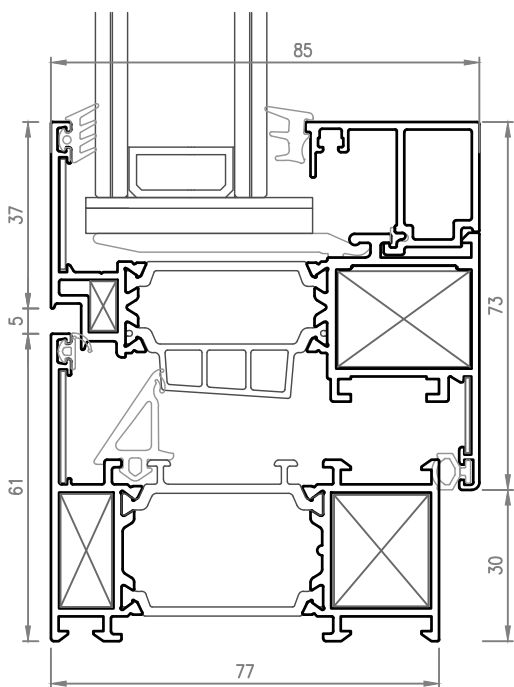


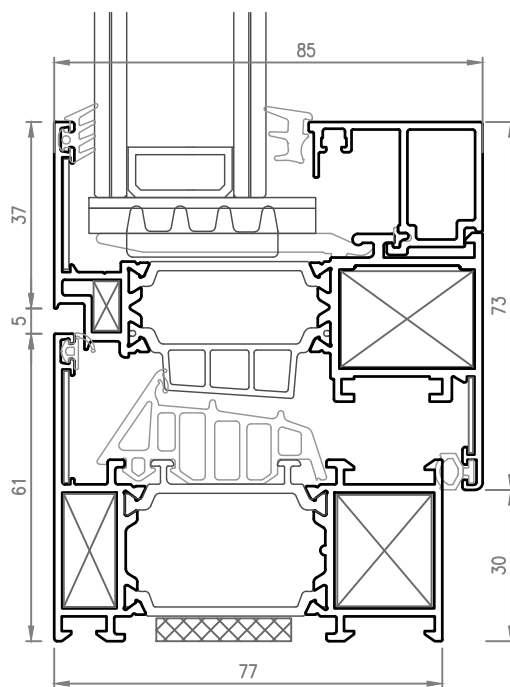
STANDARD

(Uf = 2,3 W/m² K)



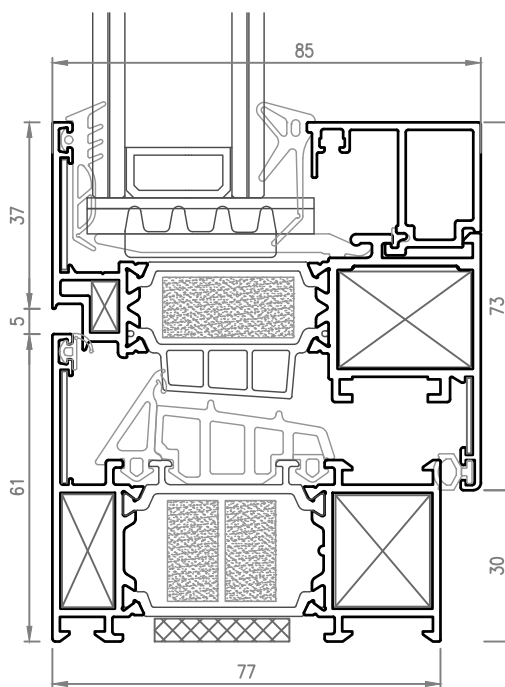
ADVANCED

(Uf = 1,9 W/m² K)

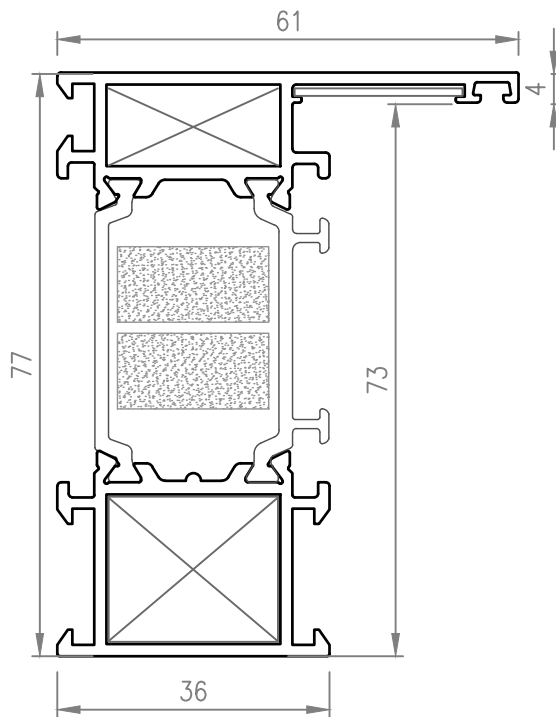


HI

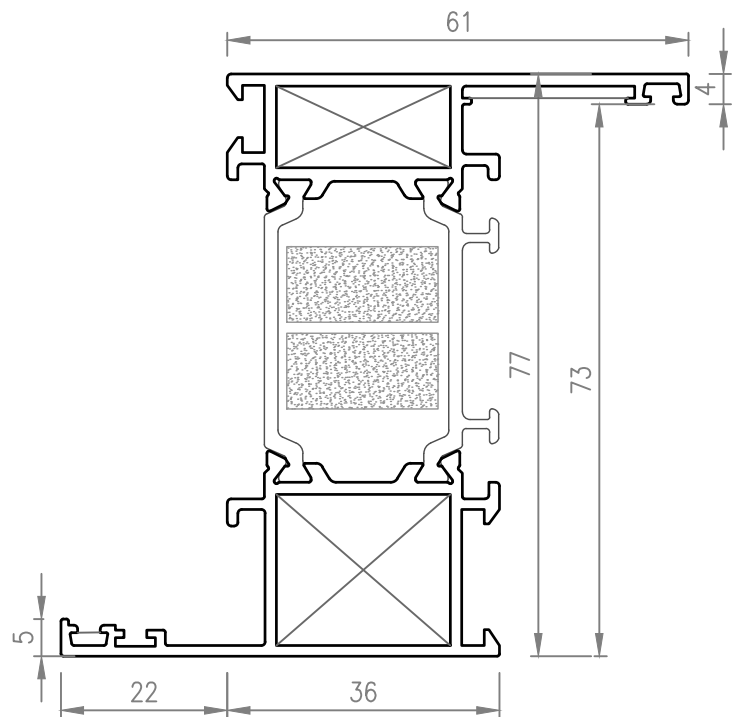
(Uf = 1,4 W/m² K)



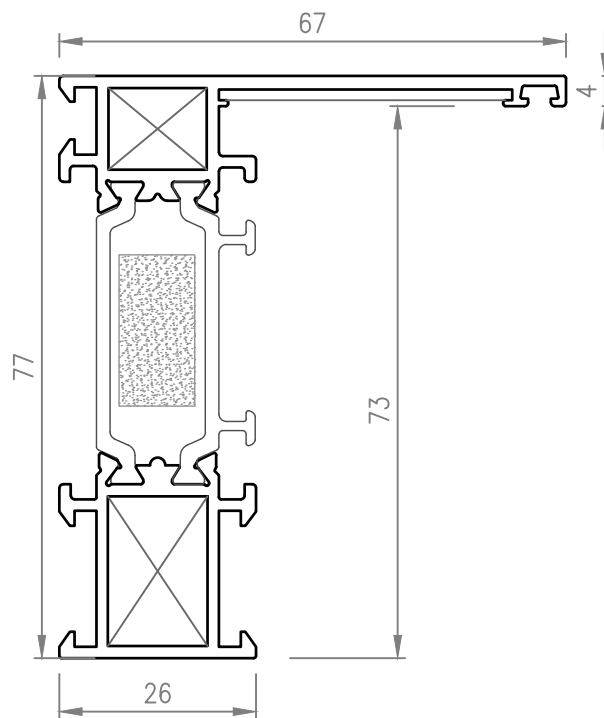
Telaio L



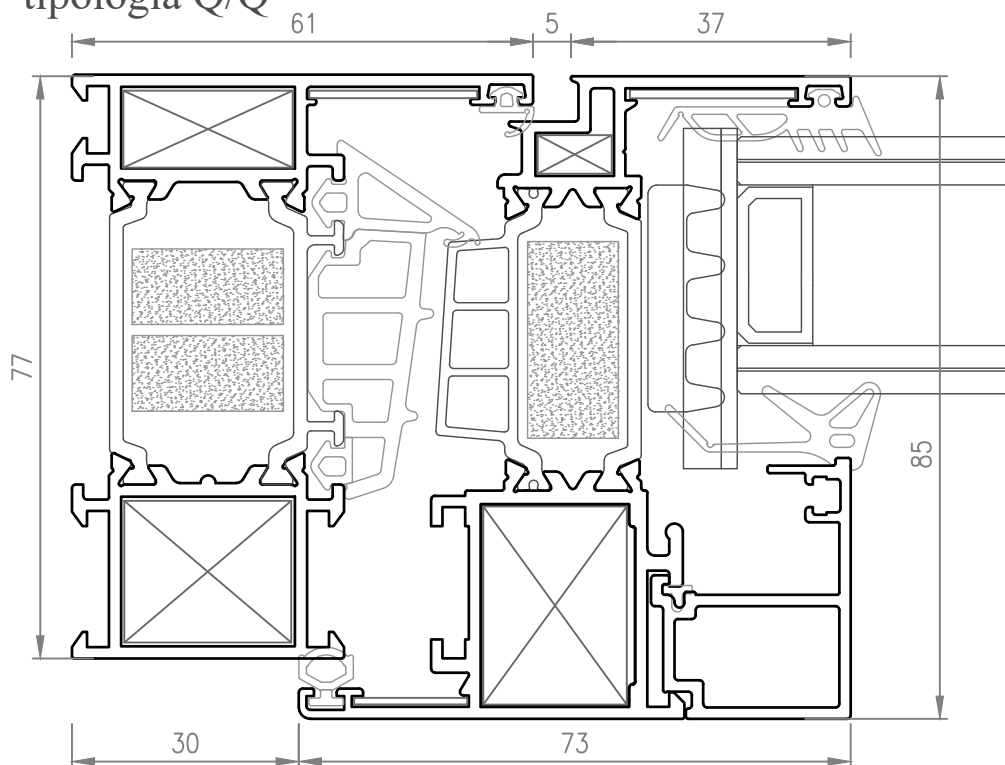
Telaio Z



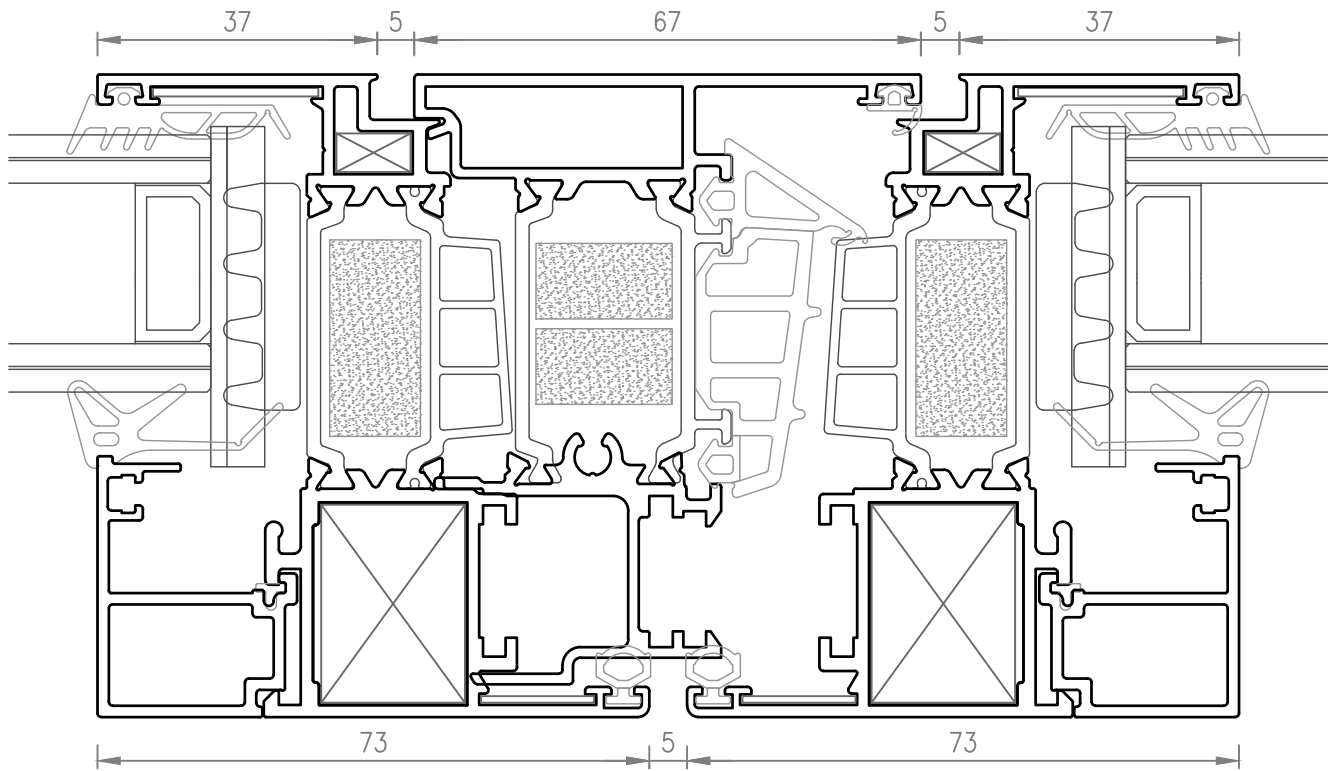
Telaio ZERO



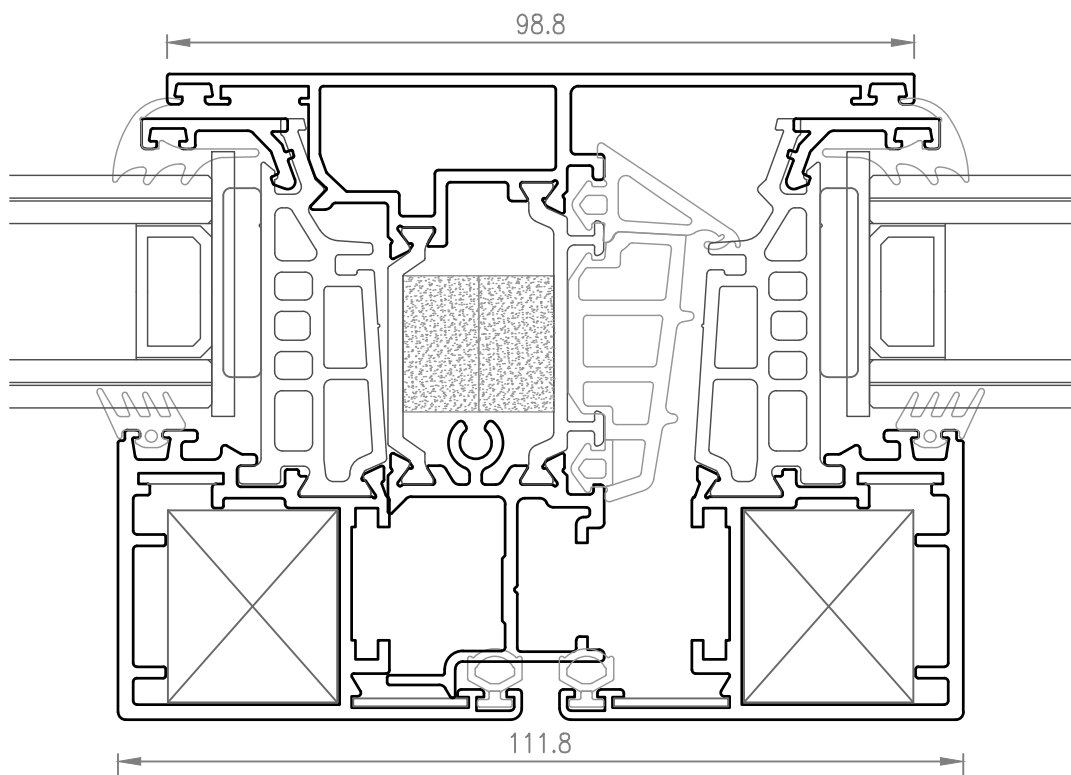
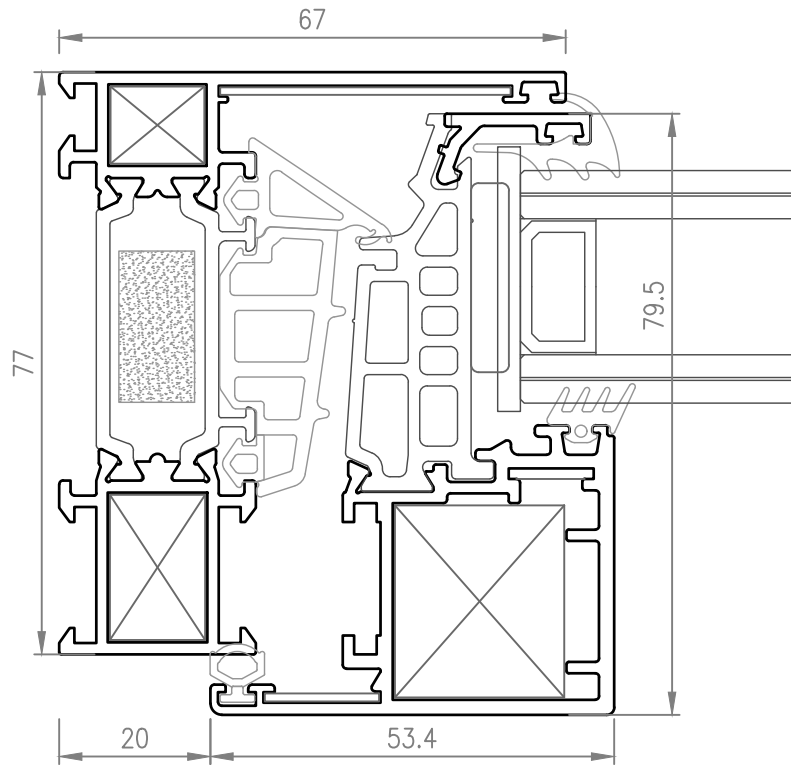
tipologia Q/Q



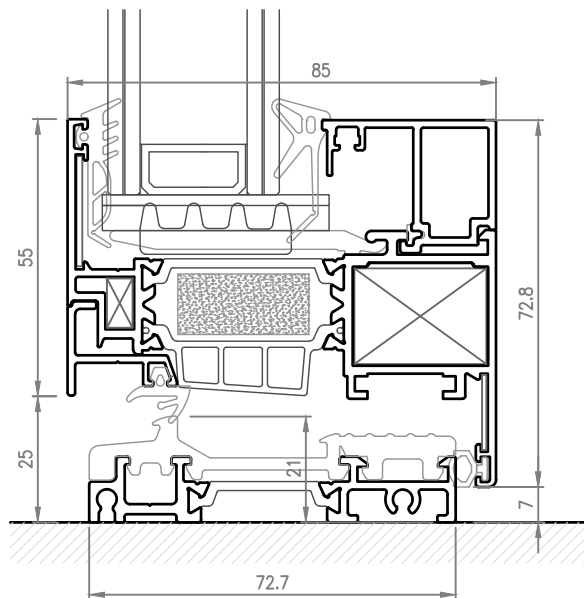
tipologia Q/Q



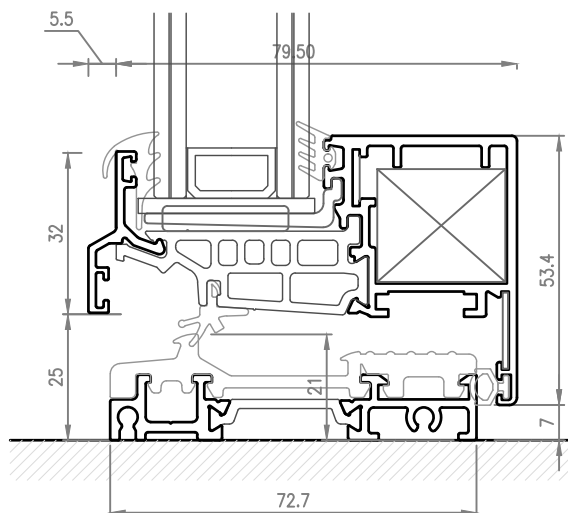
ZERO



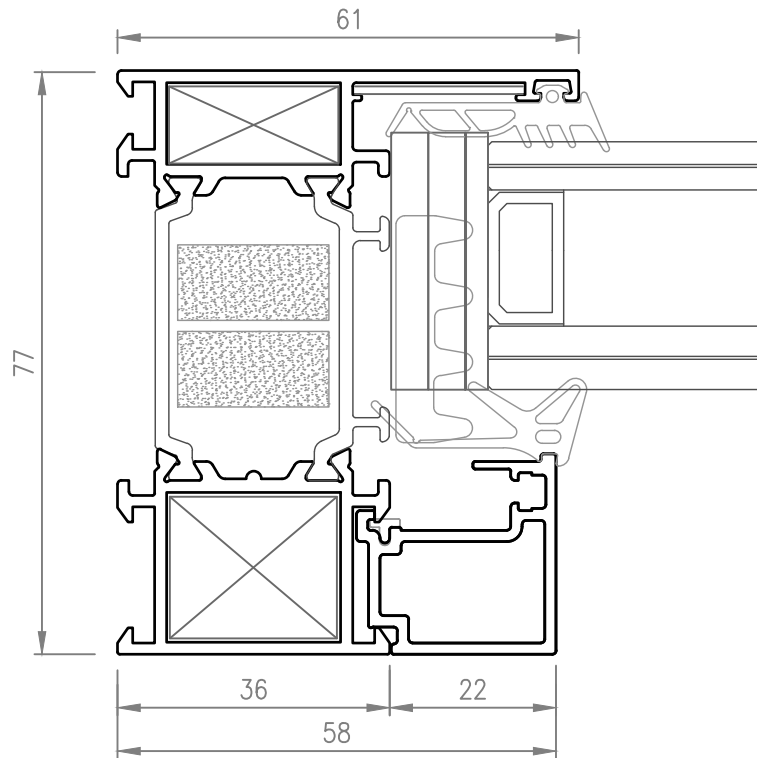
tipologia Q/Q



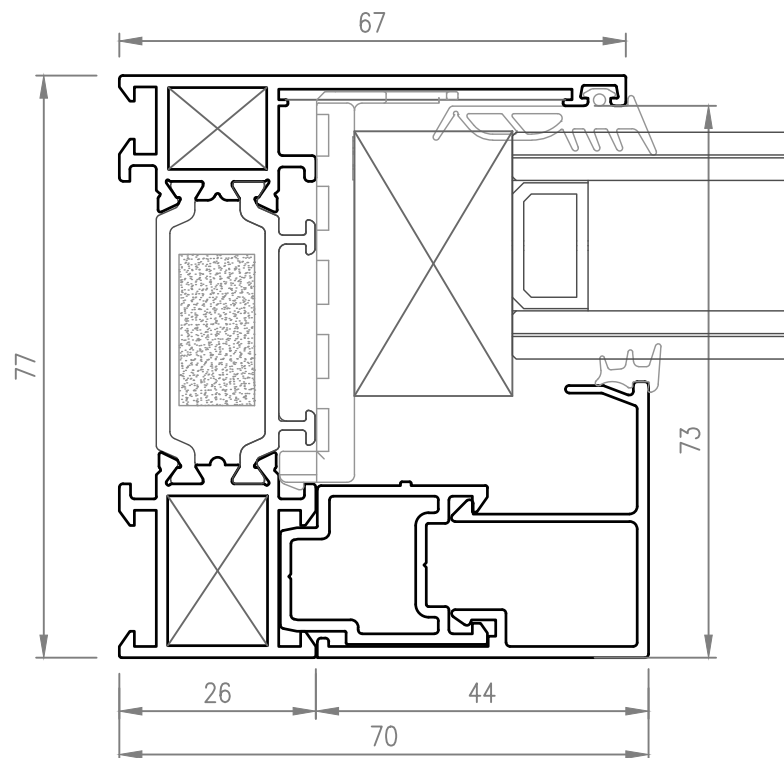
tipologia ZERO



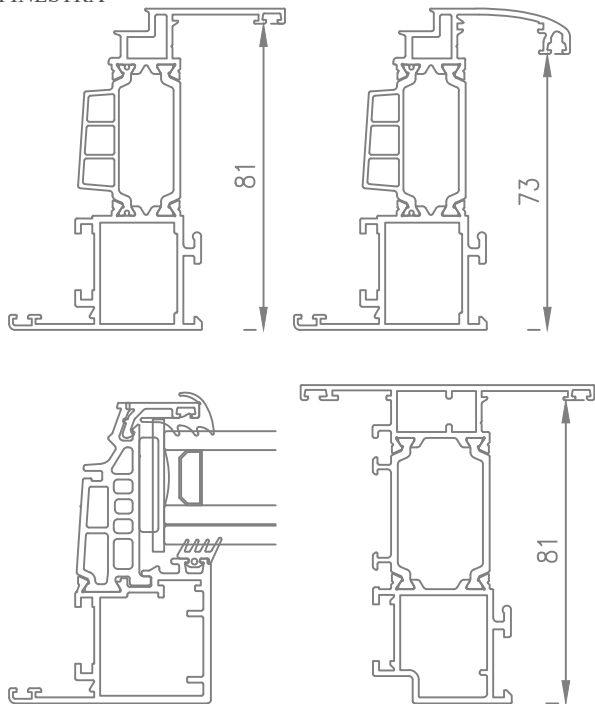
tipologia Q/Q



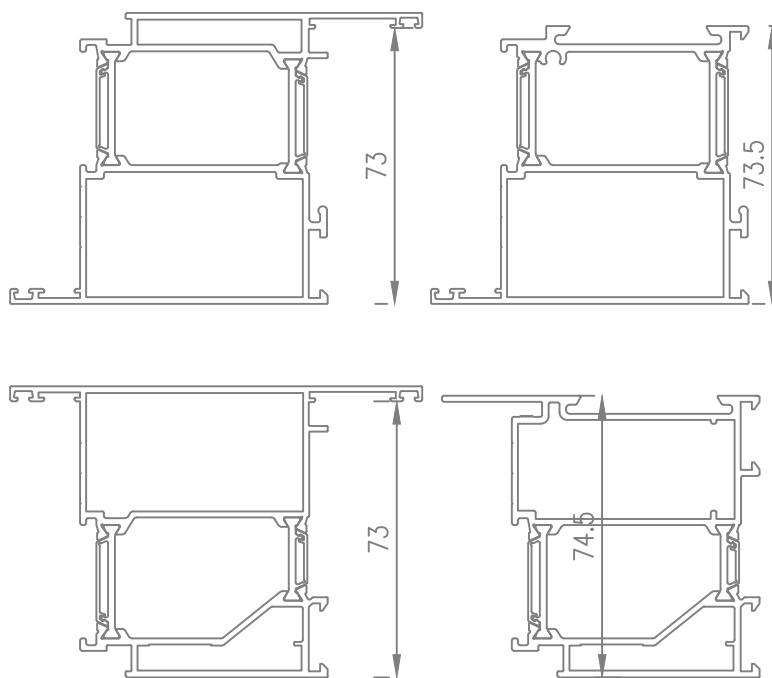
tipologia ZERO



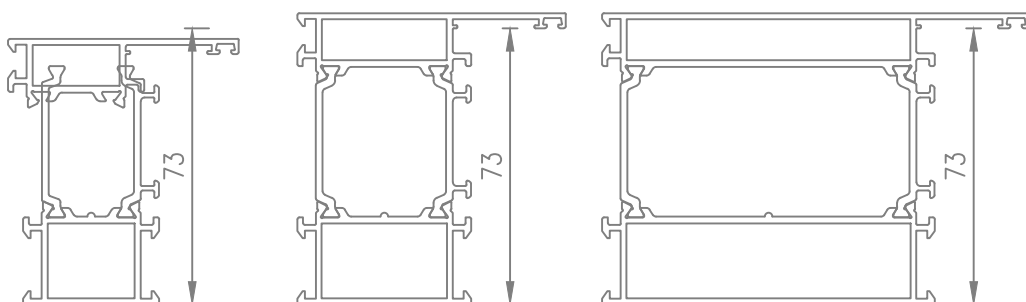
ANTE
FINESTRA



ANTE
PORTA



TELAI



serie	vetro mm	profilo	fermavetro	guarn. esterna vetro	guarn. interna vetro - EPDM/CE	guarn. interna vetro - EPDM	
S77	28	S77510	S60433	202-11-151-01	200-11-156-01	200-08-006-01	
	34	S77514	S60431	202-11-151-01	200-11-157-01	200-08-004-01	
	38	S77564	S60435	202-11-151-01	200-11-157-01	200-08-004-01	
	73 mm	44	S77582	S60449	202-11-151-01	200-11-156-01	200-08-006-01
	(telai ed ante porta	48	S77584	S60437	202-11-151-01	200-11-156-01	200-08-007-01
	apertura interna ed esterna)	52	S77906	S60697	202-11-151-01	200-11-156-01	200-08-007-01
		58		S60695	202-11-151-01	200-11-157-01	200-08-005-01
		34	S77936	S60440	202-11-151-01	200-11-157-01	200-08-004-01
	81 mm	38		S60433	202-11-151-01	200-11-157-01	200-08-004-01
	(anta finestra)	44		S60435	202-11-151-01	200-11-156-01	200-08-006-01
	48		S60439	202-11-151-01	200-11-156-01	200-08-006-01	
	52		S60449	202-11-151-01	200-11-156-01	200-08-006-01	
	58		S60437	202-11-151-01	200-11-157-01	200-08-005-01	
	66		S60695	202-11-151-01	200-11-156-01	200-08-005-01	

